

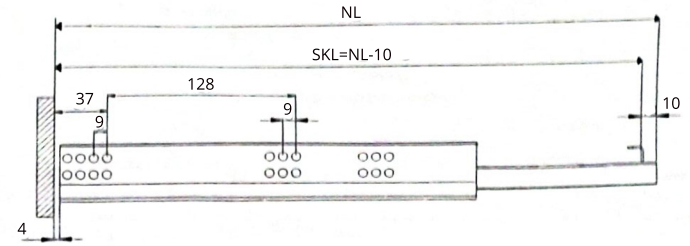
**Feature of the product**

- Basic length: 250/270/300/350/400/450/500/550mm
- New-design damper assured smooth and soft-closing

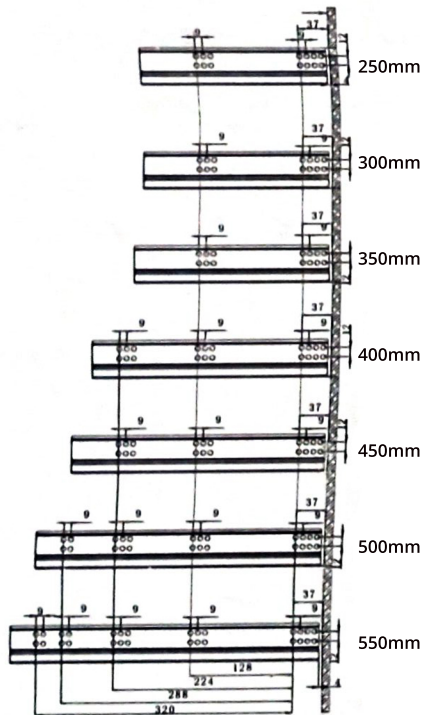


**Slide installation drawings**

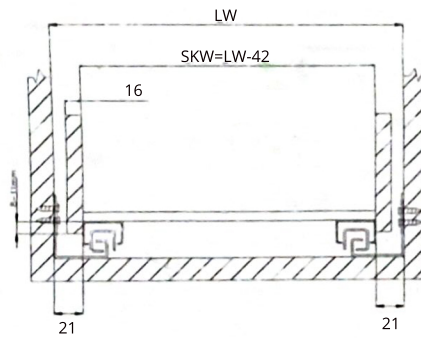
NL - nominal length of drawer slide    SKL - drawer length



**Drill holes positions**



**Slide installation drawings**



LW internal cabinet width    SKW drawer internal width

**Fixing drawings**

